



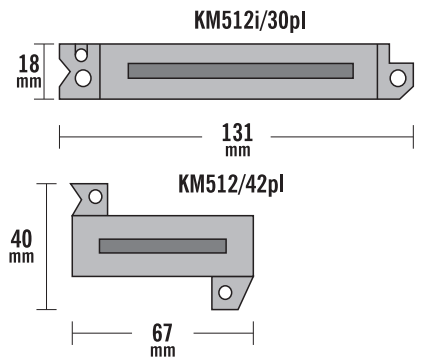
SK512i



高速度 高精度
High speed and resolution

顶尖科技 全新奉献---柯尼卡 美能达KM512i/30pl喷头
Top technology, new innovation--- Konica Minolta KM512i printhead

- 1.该喷头拥有512个喷嘴，喷头激发频率提高了四倍以上，每秒每个喷头最多可以喷出30000个墨滴；
- 2.喷孔密度由原来的360dpi更新为180dpi，每pass的宽度增加一倍。（512i/30pl的喷头尺寸等同于2个512/42pl喷头尺寸）
- 3.采用30PL墨滴，提高近距离画面视觉效果；



1. It has 512 nozzles which firing frequency has increased 4 times, each nozzle can jet 30000 droplets in one second;
2. It adopts 30PL droplet size, which can enhance picture quality in short distance observation.
3. Nozzle density has developed from 360dpi to 180dpi, so the width of single pass has increased by one time.(512i/30pl printhead size is equal to 2 pieces of 512/42pl printheads)

4PCS KM512i

480*360dpi:120m²/h

12PCS KM512/42PL

180*720dpi:120m²/h

8PCS KM512i

480*360dpi:240m²/h

24PCS KM512/42PL

180*720dpi:240m²/h

SK512i (KM512iLNB-30PL)

主要技术指标及参数

品牌配件	Brand parts
北京博源恒芯板卡	BYHX-A-KM512i-8H Boards
汉森锐彩软件	Honsoft UltraPrint RIP software
日本松下400W伺服电机 (X方向)	Japanese PANASONIC 400W AC servo motor
日本NSK轴承	Japanese NSK bearing
高速静音拖链	High speed mute drag chain
德国易格斯高柔电缆	Germany IGUS Power cable
德国KNF空气泵	Germany KNF Air pump
意大利麦高迪皮带	Italy Megadyne belt
美国威璐墨管接头	American Value Plastics tube connector
日本THK导轨配双静音滑块	JapaneseTHK linear guide with two pcs mute slider
聚友缘直流墨泵	JYY DC ink Pump
聚友缘电磁阀	JYY Solenoid Valve

功能配置	Configuration
旗舰型机架	Flagship Printer body
高精度200MM打印平台	High quality 200mm wide printing bed
铝制横梁	Aluminum beam
智能型红外线加热系统	Intelligent infrared heating system
配备电脑操作平台	Working platform for Computer and LCD
平台和清洗位置配备LED灯	LED lights at cleaning position and printing bed
四合一温控仪	4 in 1 heating control system
前-后-平台-喷头加热	Rear-Printing bed-front-Printhead heater
负压供墨系统	Negative pressure system
喷头清洗液维护系统	Printhead Solvent cleaning system
打印平台吸风调节系统	Adjustable vacuum for Printing bed
升降式小车	Lift type carriage
墨盒式保湿	Unique printhead protection stack
多功能放布系统	Multifunction Feeding

打印速度与精度	Printing speed and Resolution
4H-2pass 120 m ² /h 480*360dpi	8H-2pass 240 m ² /h 480*360dpi
4H-3pass 80 m ² /h 480*540dpi	8H-3pass 160 m ² /h 480*540dpi
4H-4pass 60 m ² /h 480*720dpi	8H-4pass 120 m ² /h 480*720dpi
包装	Package
净重: 750KG	N.W=750KG
毛重: 990KG	G.W=990KG
整机打包尺寸: 5.0*1.15*1.6M=9.2方	Package (Complete): 5.0*1.15*1.6M=9.2CBM
拆分打包尺寸: 4.9方	Package (Separate): 4.9CBM
1) 4.91*0.76*1.14M	1) 4.91*0.76*1.14M
2) 1.05*0.91*0.68M	2) 1.05*0.91*0.68M

China Printer Supplier
Website: www.UDPrinter.com

Twitter.com/Aullyxie
facebook.com/ChinaSign
facebook.com/SolventPrinter/videos

Skype: Aullyxie (aully@hotmail.com)